

ADVANCED TRAINING RHINOCEROS TECHNIQUES FOR MARINE DESIGNERS CREATING RIGHTING ARM CURVES IN RHINO 4.0

Copyright 2010
Cliff W Estes

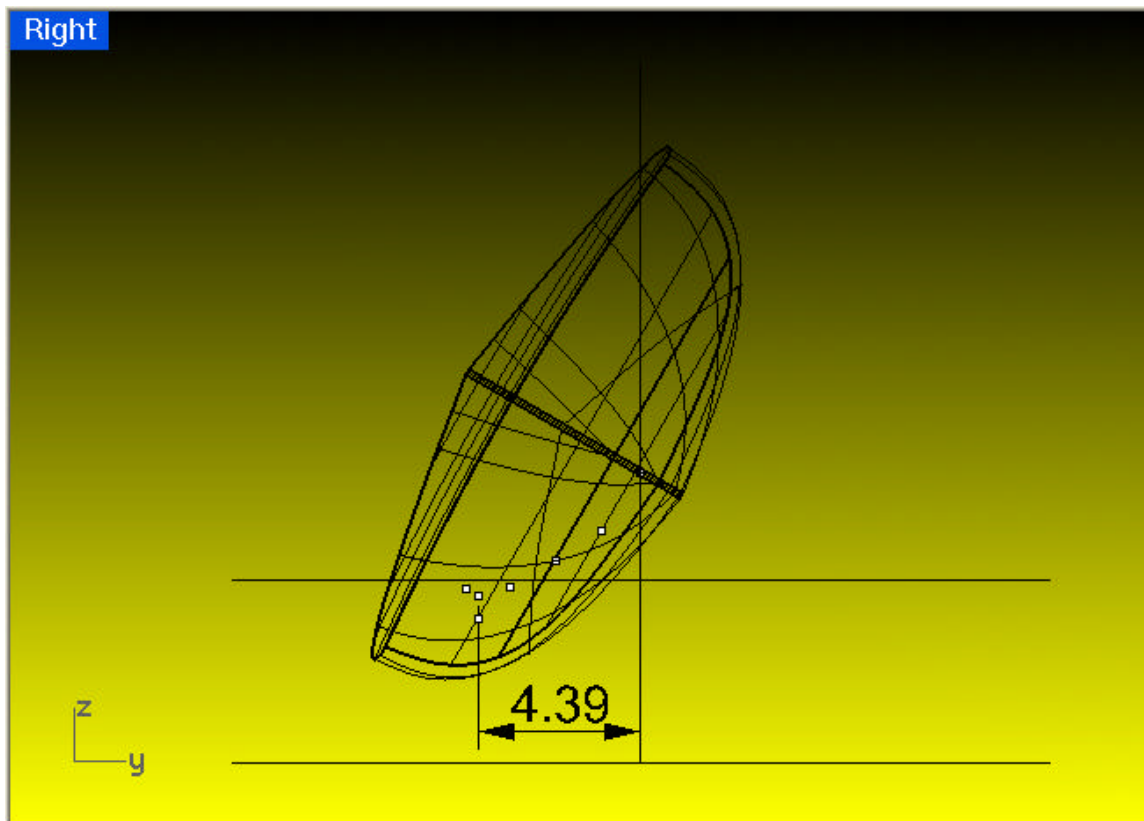
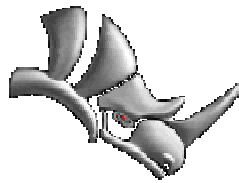


Table of Contents

Prepare the model	3
Upright hydrostatics.....	4
Heeled hydrostatics.....	5
Summary.....	8
About BaseLine Technology	8